



## KR 10 R1100 WP



### Technical data

Maximum reach	1101 mm
Maximum payload	10 kg
Pose repeatability (ISO 9283)	± 0.03 mm
Number of axes	6
Mounting position	Floor; Ceiling; Wall; Desired angle
Footprint	320 mm x 320 mm
Weight	approx. 56 kg

### Axis data

Motion range	
A1	±170 °
A2	-190 ° / 45 °
A3	-120 ° / 156 °
A4	±185 °
A5	±120 °
A6	±350 °

### Operating conditions

Ambient temperature during operation	5 °C to 45 °C (278 K to 318 K)
--------------------------------------	--------------------------------

### Protection rating

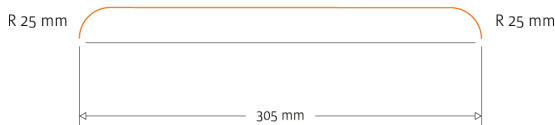
Protection rating (IEC 60529)	IP67
Protection rating, robot wrist (IEC 60529)	IP67

### Controller

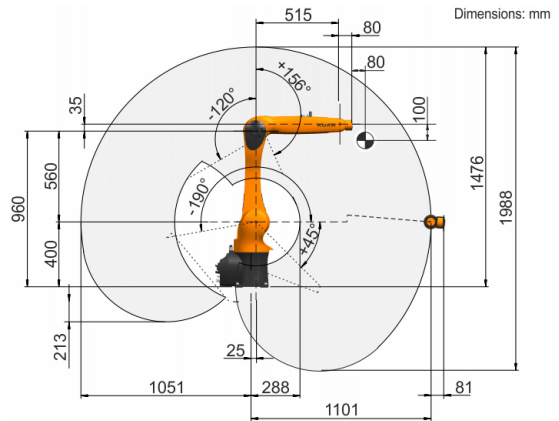
Controller	KR C5 micro; KR C4 compact
------------	-------------------------------

### Cycle time

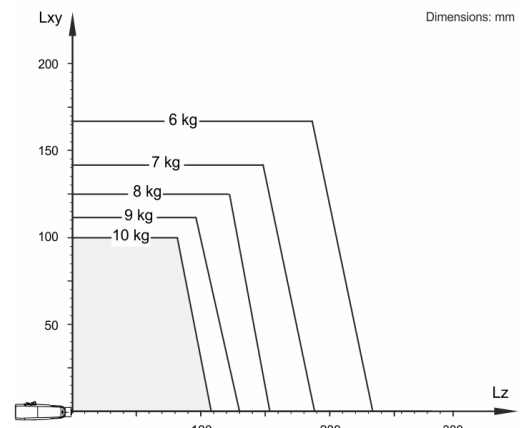
140 cycles per minute (25 mm / 305 mm / 25 mm, 1 kg)



### Workspace graphic



### Payload diagram



The KR 10 R1100 WP is designed for a rated payload of 5 kg in order to optimize the dynamic performance of the robot. The maximum payload of 10 kg applies only if the position of the center of mass is 0 mm and a supplementary load optimized for the load case is mounted. The specific load case must be verified using KUKA.Load or KUKA Compose. For further consultation, please contact KUKA Support.

### Mounting flange

