



KR 50 R2100



Technical data

| | |
|--|--|
| Maximum reach | 2101 mm |
| Rated payload | 50 kg |
| Maximum payload | 61 kg |
| Maximum supplementary load, rotating column / link arm / arm | 50 kg / 30 kg / 30 kg |
| Pose repeatability (ISO 9283) | ± 0.05 mm |
| Number of axes | 6 |
| Mounting position | Floor; Ceiling; Wall; Desired angle |
| Footprint | 603 mm x 480 mm |
| Weight | approx. 533 kg |

Axis data

| | |
|--------------------------|----------------|
| Motion range | |
| A1 | ±185 ° |
| A2 | -175 ° / 60 ° |
| A3 | -120 ° / 165 ° |
| A4 | ±180 ° |
| A5 | ±125 ° |
| A6 | ±350 ° |
| Speed with rated payload | |
| A1 | 180 °/s |
| A2 | 175 °/s |
| A3 | 175 °/s |
| A4 | 250 °/s |
| A5 | 250 °/s |
| A6 | 360 °/s |

Operating conditions

| | |
|--------------------------------------|--------------------------------|
| Ambient temperature during operation | 0 °C to 55 °C (273 K to 328 K) |
|--------------------------------------|--------------------------------|

Protection rating

| | |
|--|-------------|
| Protection rating (IEC 60529) | IP65 |
| Schutzart Arm (IEC 60529) | IP65 / IP67 |
| Protection rating, robot wrist (IEC 60529) | IP65 / IP67 |

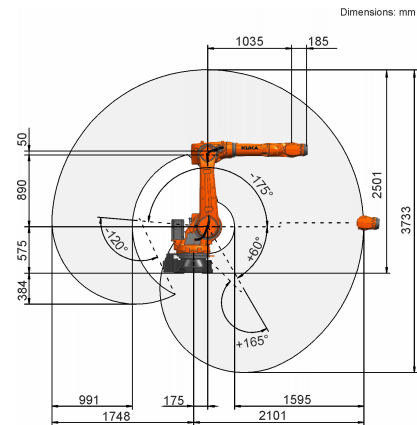
Controller

| | |
|------------|-----------------|
| Controller | KR C5; KR C4 |
|------------|-----------------|

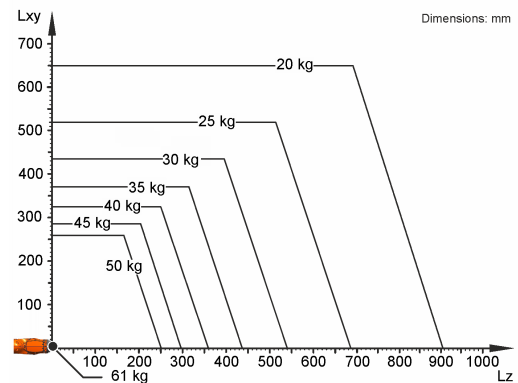
Certificates

| | |
|------------------|-------------------------------|
| ESD requirements | IEC61340-5-1; ANSI/ESD S20.20 |
|------------------|-------------------------------|

Workspace graphic



Payload diagram



The KR 50 R2100 is designed for a rated payload of 50 kg in order to optimize the dynamic performance of the robot. With reduced load center distances and favorable supplementary loads, a maximum payload of up to 61 kg can be mounted. The specific KUKA Load case must be verified using KUKA. For further consultation, please contact KUKA Service.

Mounting flange

