



KR 6 R900 HM-SC



Technical data

Maximum reach	901.5 mm
Maximum payload	6 kg
Pose repeatability (ISO 9283)	± 0.03 mm
Number of axes	6
Mounting position	Floor; Ceiling; Wall;
	Desired angle
Footprint	320 mm x 320 mm
Weight	approx. 62 kg

Axis data

Motion range	
A1	±166 °
A2	-188 ° / 45 °
A3	-115 ° / 144 °
A4	±185 °
A5	±110 °
A6	±350 °

Operating conditions

Ambient temperature during operation	0 °C to 35 °C (273 K to 308 K)
--------------------------------------	--------------------------------

Protection rating

Protection rating (IEC 60529)	IP65 / IP67
Protection rating, robot wrist (IEC 60529)	IP65 / IP67

Controller

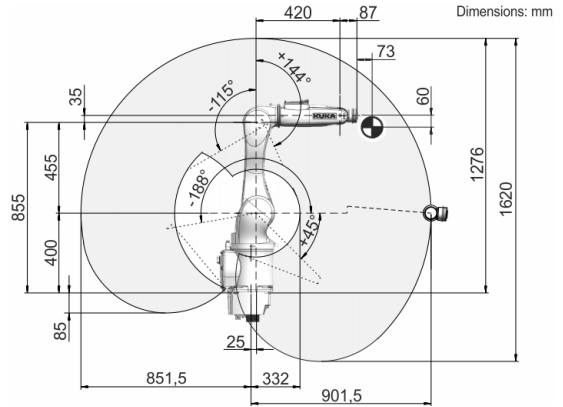
Controller	KR C5 micro; KR C4 compact
------------	-------------------------------

Cycle time

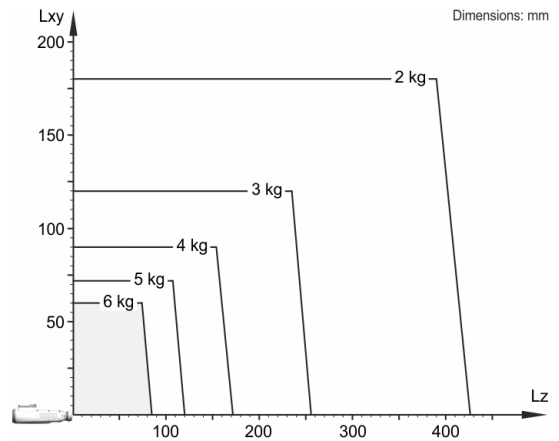
144 cycles per minute (25 mm / 305 mm / 25 mm, 1 kg)



Workspace graphic



Payload diagram



The KR 6 R900 HM-SC is designed for a rated payload of 3 kg in order to optimize the dynamic performance of the robot. The maximum payload of 6 kg applies only if the position of the center of mass is 0 mm and a supplementary load optimized for the load case is mounted. The specific load case must be verified using KUKA.Load or KUKA Compose. For further consultation, please contact KUKA Support.

Mounting flange

