



KR 240 R3200-2 PA



Technical data

Maximum reach	3195 mm
Rated payload	240 kg
Maximum payload	292 kg
Maximum supplementary load, rotating column / link arm / arm	-
Pose repeatability (ISO 9283)	± 0.07 mm
Number of axes	5
Mounting position	Floor
Footprint	754 mm x 754 mm
Weight	approx. 1017 kg

Axis data

Motion range	
A1	±185 °
A2	-140 ° / -5 °
A3	0 ° / 165 °
A4	-
A5	-55 ° / 150 °
A6	±350 °
Speed with rated payload	
A1	137 °/s
A2	111 °/s
A3	119 °/s
A4	-
A5	225 °/s
A6	321 °/s

Operating conditions

Ambient temperature during operation	0 °C to 55 °C (273 K to 328 K)
--------------------------------------	--------------------------------

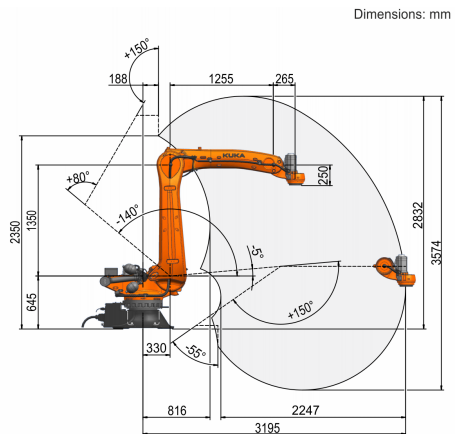
Protection rating

Protection rating (IEC 60529)	IP65
Protection rating, robot wrist (IEC 60529)	IP65

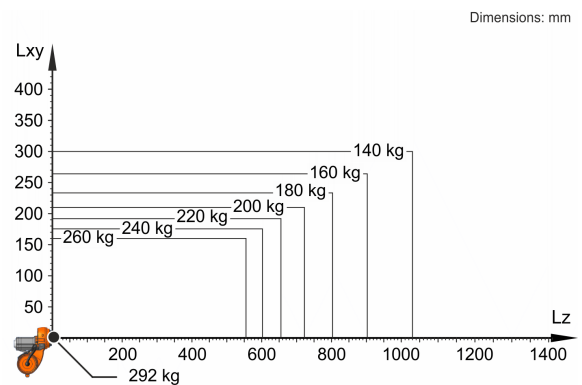
Controller

Controller	KR C5; KR C4
------------	-----------------

Workspace graphic



Payload diagram



The KR 240 R3200-2 PA is designed for a rated payload of 240 kg in order to optimize the dynamic performance of the robot. With reduced load center distances and favorable supplementary loads, a maximum payload of up to 292 kg can be mounted. The specific KUKA Load case must be verified using KUKA. For further consultation, please contact KUKA Service.

Mounting flange

