



## KR 240 R2900-2 C



### Technical data

Maximum reach	2865 mm
Rated payload	240 kg
Maximum payload	292 kg
Maximum supplementary load, rotating column / link arm / arm	-
Pose repeatability (ISO 9283)	± 0.05 mm
Number of axes	6
Mounting position	Ceiling
Footprint	754 mm x 754 mm
Weight	approx. 1125 kg

### Axis data

Motion range	
A1	±185 °
A2	-140 ° / -14 °
A3	-120 ° / 168 °
A4	±350 °
A5	±122.5 °
A6	±350 °
Speed with rated payload	
A1	103 °/s
A2	94 °/s
A3	100 °/s
A4	170 °/s
A5	129 °/s
A6	206 °/s

### Operating conditions

Ambient temperature during operation	0 °C to 55 °C (273 K to 328 K)
--------------------------------------	--------------------------------

### Protection rating

Protection rating (IEC 60529)	IP65
Protection rating, robot wrist (IEC 60529)	IP65 / IP67

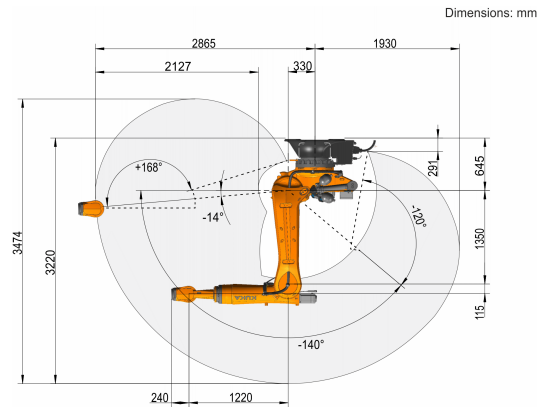
### Controller

Controller	KR C5; KR C4
------------	-----------------

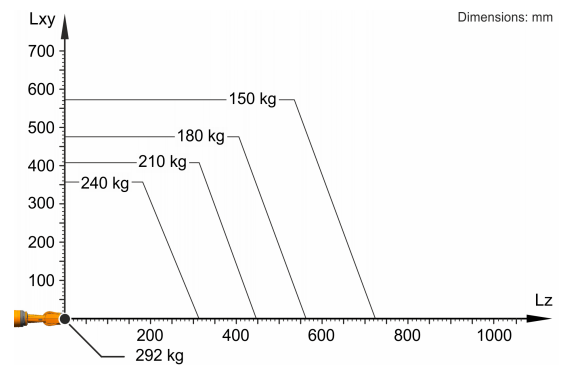
### Certificates

ESD requirements	IEC61340-5-1; ANSI/ESD S20.20
------------------	-------------------------------

### Workspace graphic



### Payload diagram



The KR 240 R2900-2 C is designed for a rated payload of 240 kg in order to optimize the dynamic performance of the robot. The maximum payload of 292 kg applies only if the position of the center of mass is 0 mm and a supplementary load optimized for the load case is mounted. The specific load case must be verified using KUKA.Load or KUKA Compose. For further consultation, please contact KUKA Support.

### Mounting flange

